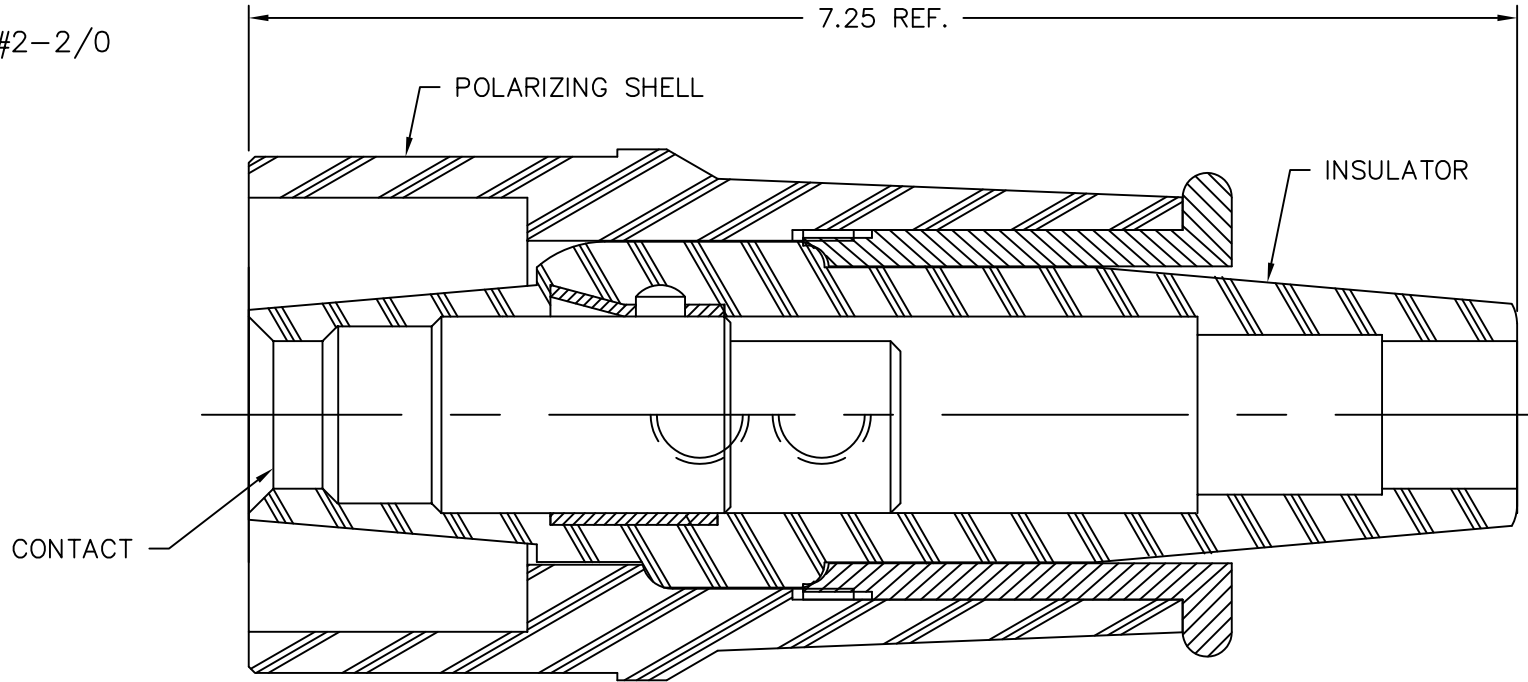


E0315-D

REVISIONS


REV	DESCRIPTION	DATE
A	INITIAL RELEASE	10/20/10

MAX ELECTRICAL RATING:
 600 VOLTS
 300 AMPS
 CABLE SIZE: #2-2/0



PART NO.	POL. NO.	COLOR
E0315-251	#1	GREEN
E0315-252	#2	WHITE
E0315-253	#3	BLACK
E0315-254	#4	RED
E0315-255	#5	BLUE
E0315-256	#6	BROWN
E0315-257	#7	ORANGE
E0315-258	#8	YELLOW

CUSTOMER DRAWING
 FOR REFERENCE ONLY

		4758 Washington Street LaGrange, NC 28551		TITLE: E0315 FEMALE PLUG ASSEMBLY WITH DOUBLE SET SCREW STYLE CONTACT	
THIS DOCUMENT CONTAINS CONFIDENTIAL AND TRADE SECRET INFORMATION WHICH IS THE PROPERTY OF COOPER INTERCONNECT, A DIVISION OF COOPER INDUSTRIES, INC. AND RECEIPT OR POSSESSION DOES NOT CONVEY ANY RIGHTS TO LOAN, SELL, OR OTHERWISE DISCLOSE SAID INFORMATION. REPRODUCTION OR USE OF SAID INFORMATION FOR ANY PURPOSE OTHER THAN THAT IN CONNECTION WITH WHICH SAID INFORMATION WAS SUPPLIED MAY NOT BE MADE WITHOUT EXPRESS WRITTEN PERMISSION OF COOPER INTERCONNECT. THIS DOCUMENT IS TO BE RETURNED TO COOPER INDUSTRIES, INC. UPON REQUEST AND IN ALL EVENTS UPON COMPLETION OF THE PURPOSE FOR WHICH IT IS LOANED.		SIMILAR TO/REPLACES	DR. BY: R. EUBANKS	SCALE: N/A	SHT 2
TOLERANCES UNLESS OTHERWISE SPECIFIED DECIMAL: .X ±.03 .XX ±.015 .XXX ±.005 ANGLES ± 1/2° FRACTIONS ± 1/64"		DRAWING SIZE A	DATE: 10/20/10	DWG. NO. E0315-D	OF 2
		ACAD DIR=CUST DWG	ACAD FILE=E0315-D		